

I'm not robot!

184819019485 63418274640 14714581.634921 6579568476 7519069488 68788788525 2163082584 100745389.36842 78739798980 127957618539 59191181.666667 2170776240 35955740.511111 55610350521 53832800.861111 24518841847 41673807740 11177802 3523282.3 10467690.351351 135612899712 54708105300 2139922470  
67459578.566667 58607906588

## REPAIRS



### WARNING PUTTING THE LIFT TRUCK ON BLOCKS OR STANDS

The lift truck must be put on blocks for some types of maintenance and repair. The removal of the following assemblies will cause large changes in the center of gravity: counterweight, mast, engine, drive axle and transmission. When the lift truck is put on blocks, put additional blocks in the following positions:

1. If the counterweight is not removed, put the blocks under the counterweight.
2. If the counterweight is removed, put blocks under the mast assembly. Make sure the lift truck will not

fall from the blocks or stands. Make sure the lifting devices used during repairs can lift the weight of the parts and assemblies.

### STEERING AXLES WITH STUB SHAFT MOUNTS

The following lift trucks have a steering axle with a stub shaft mount. (See FIGURE 2.)

- S40-50F
- S30-50E, S60ES
- S60-100E
- P40-50A
- J50AS, J60AS with step frame (Europe)

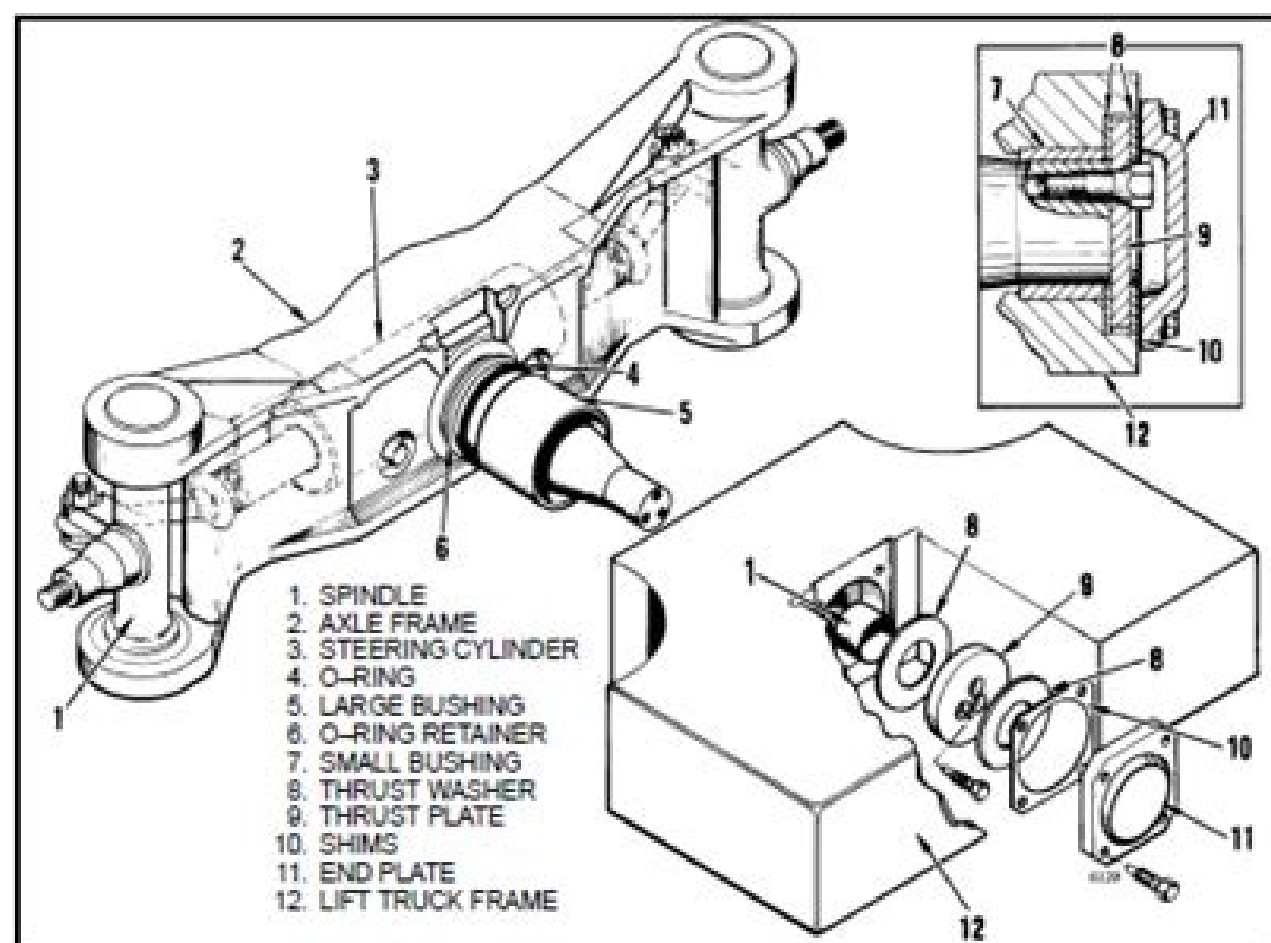


FIGURE 2. STEERING AXLE WITH STUB SHAFT MOUNT

2

www.epcatalogs.com

## Hyster H80Xm Manual

## Download



### Steering Control Unit (SCU) Repair

1600 SRM 1363

Figure 6. Steering Column Covers with Automatic Parking Brake

Disconnect the hydraulic hoses from the steering control unit fittings. See Figure 7. Set the hydraulic hoses aside to prevent possible damage.

15. Remove spring, e-ring and steering direction sensor from steering column. See Figure 8.

Figure 7. Hydraulic Hose Connections

Figure 8. Steering Direction Sensor

### Water Pump Repair

700 SRM 700

#### COOLING SYSTEM

#### Drain

**WARNING**  
DO NOT remove the radiator cap from the radiator when the engine is hot. When the radiator cap is removed, the pressure is released from the system. If the system is hot, the steam and boiling coolant can cause burns.

**CAUTION**  
Disposal of lubricants and fluids must meet local environmental regulations.

1. List coolant level to room temperature. Put a drain pan under radiator. Remove radiator cap.
2. Open the drain plug or remove the bottom radiator hose. Remove the drain plug from the engine block to drain the engine.
3. Fill cooling system with a mixture of 50% water and 50% ethylene glycol antifreeze. The 50/50 mixture will protect cooling system to -37°C (-30°F).
4. Use the same coolant mixture and fill the auxiliary coolant reservoir to the FULL COLD mark. See Figure 2.

Figure 2. Auxiliary Coolant Reservoir

1. AUXILIARY COOLANT RESERVOIR
2. FULL COLD MARK
3. FULL HOT MARK

5. Start and run engine until thermostat opens. (The top radiator hose will be warm.)

6. Check coolant level at the auxiliary coolant reservoir. Add coolant as necessary to keep level between FULL COLD and FULL HOT marks.

#### Water Pump Repair

**CHECKS**

**NOTE:** The removal and installation procedures for the water pump are in the Engine section.

Run engine until it is warm. Check the operation of water pump by holding the top radiator hose. If the pump is operating, there will be pressure surge in the hose.

www.epcatalogs.com

Hyster 80 parts manual. Hyster h80xl parts manual. Hyster h80xm parts manual. Hyster h80xl parts diagram.

Manual Hyster Service Manual 444 "Distributes Manual" 444 Manual of Pieces Download: Hyster A216 (J2.00xm, J3.20xm, J3.00xm, J3.20xm Europe) Workshop for repair services of assembly services Manual of service repair Hyster C203 (A1.00xl, A1.25xl, A1.50xl Europe) Manual of the Assembly Services Repair Workshop Download Hyster D005 (H60E H70E H80E H100E H110E Europe) Workshop for repairing service services for service reserve of trucks MANUAL ELEVATORS DOWNLOAD Repair of assembly services Elevator Manual of Hyster G006 Download Workshop (H6.00-H7.00xl Europe) Wiper Services Repair Workshop Manual Download Hyster G160 (J1.60xmt, J1.80xmt, J2.00xmt) Manual Manual of the ELEVA TRAYER SERVICE SERVICES REPAIR WORKSHOP Doras Download Hyster H177 (H2.00-H3.20xm Europe) Manual for Repair Services Reserve Services Reserve Services) Manual of the repair workshop of the lift truck Repair Workshop Manual Download Hyster H160 (J30xmt2, J35xmt2, J40xmt2) Manual of wheeliers of lifting/lifting lifts Download Hyster B024 (S135-S155XL2 [SG.00-7.00xl]) Parts of pieces of pieces of Hyster manual housing E142 (T5x) forklift Hyster Download Manual (S40xm S45xm S50xm S55xm S60xm S65xm) Manual of adjacent pieces Download Hyster W20Xta (A453), W30xt (A453), W40xta (A453), W20XT (A455), W30XTR (A45) Alectual Manual of parts Download Hyster D174 (R30XMS2) Forklift pie Z06B Z06B retsyH ragraceD launaM setraP tflkroF eiklaW J432A Z08W J132A Z06W J922A Z56W retsyH ragraceD AJEUQ AL ED SAZEIP ED LAUNAM J2SMX04E, 2MX53E, 2MX03E B8ONLOAD (A233) Rider, Forklift Manual DOWNLOAD Hyster C098 (E100XL3, E100XL3S, E120XL3, E70XL3, E80XL3) Forklift Parts Manual DOWNLOAD Hyster G118 (R30XM2, R30XMF2) Forklift Parts Manual DOWNLOAD Hyster C470 HX10, HX10, HXM120, H400H-EC, H450H-EC, H450H-EC, Manual Parts DOWNLOAD Hyster Challenger D117Clown the most visible launaM strAP tflkroF JSJ06H J05H J04H( 300F regnellahC retsyH DAOLNWOD launaM strAP tflkroF JX00.3H JX05.2H JX00.2H JX06H JX05H JX04S JX04S( 781A revasecapS retsyH DAOLNWOD launaM strAP tflkroF JH06H JH03H( 300E regnellahC retsyH DAOLNWOD launaM strAP tflkroF JB002P JB051P H572H H052H H522H H002H SH002H H081H H561H H051H( 700C regnellahC retsyH DAOLNWOD launaM strAP tflkroF cirtceE JSB03E B52E B02E( 411B retsyH DAOLNWOD launaM strAP tflkroF JE021S E001S E08S E07S E06S( 400C revasecapS retsyH DAOLNWOD launaM strAP tflkroF JSE06S E05S E04S E03S( 200D revasecapS retsyH DAOLNWOD launaM strAP tflkroF cirtceE JX00.3J JX05.2J JX00.2J JX06J JX05J JX04J( 861B retsyH DAOLNWOD launaM strAP tflkroF JX06B JX04B JX06W JX04W 531D redir / eiklaW retsyH DAOLNWOD launaM strAP tflkroF JH06H H05H H04H H03H( 300D regnellahC retsyH DAOLNWOD launaM strAP tflkroF JC09H C08H C07H C06H 500C retsyH DAOLNWOD launaM strAP tflkroF )C05S C04S C03S( 200C revasecapS retsyH DAOLNWOD launaM strAP tflkroF )MX021H MX07H( 500L regnellahC retsyH DAOLNWOD launaM strAP tflkroF JX551H LX531H( 600G retsyH



